

AM50-B

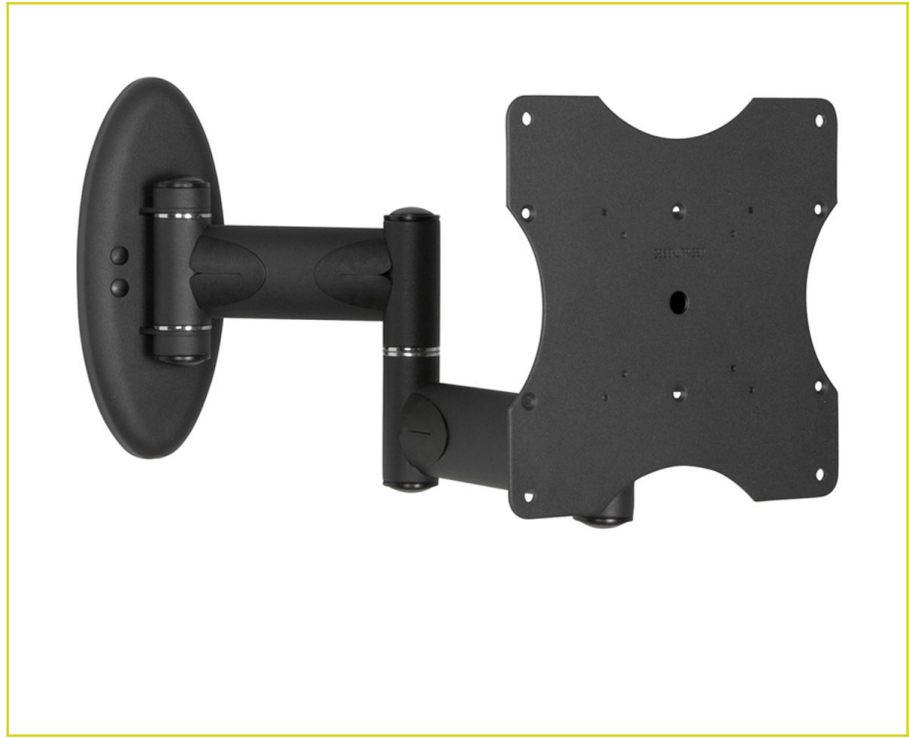
Dual Arm Swingout Mount for Flat-Panel Displays up to 50 lb./23 kg

Color:	Black
Weight	12.00 lb. 5.4 kg
Weight Capacity	50 lb. 22.7 kg
Width	8.88 in. 226 mm
Height	8.88 in. 225.6 mm
Mounting Pattern	75 x 75, 100 x 100, 200 x 100, 200 x 200 mm
Display Range	10.00 - 40.00 in
Tilt	+15.00° / -15.00°
Pivot	+10.00°
Rotation	+360°
Swivel	90°
Pitch	+15.00° / -15.00°

Downloads at Mounts.com



- [Data Sheet](#)
- [Bid Specification Document](#)
- [Installation Manual](#)
- [Dimensional Drawing](#)
- [CAD File](#)
- [High Resolution Image](#)



50 lb.



+15.00°
-15.00°



+8.88



+15.00°
-15.00°



75 x 75



100 x 100



200 x 100



200 x 200



10-40 in

DESCRIPTION

The AM50-B dual arm swingout mount for flat-panel displays up to 50 lb./23 kg. Typically fits displays ranging from 10 - 40 in. or displays with a VESA mounting pattern of 75 x 75mm to 200 x 200mm. The AM50-B allows up to 90° of swivel, 15° of tilt and extends 3.2 to 16.9 in. from the wall. It also offers significant tilt and pivot using the innovative Radial Glide™ system. OSHPD approved and UL listed.

FEATURES

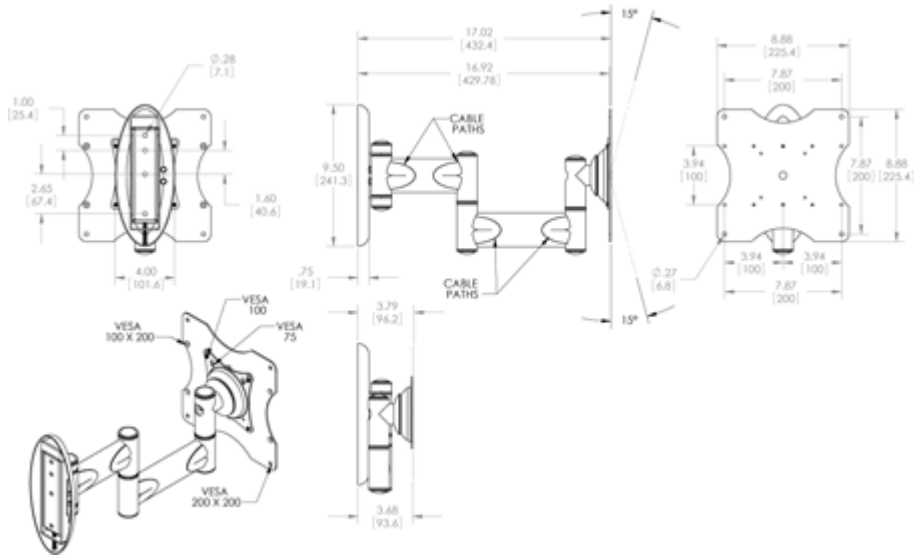
- Extends 3.7 - 16.9 in. from the wall
- Quick, three-step installation
- Smooth tilt adjustment featuring Radial Glide™
- Cable routing inside arms
- OSHPD and DSA Approved (OPA-1684-07)



AM50-B

Dual Arm Swingout Mount for Flat-Panel Displays up to 50 lb./23 kg

DOWNLOAD FULL SIZE CAD FILES AND DIMENSIONAL DRAWINGS AT MOUNTS.COM



ACCESSORIES FOR AM50-B



IPM-100

Protected Mounting Frame for iPads™ with VESA Mounting Pattern



PSD-ACR18

18 inch Right-Angle Power Cord



INW-AM200

Recessed Wall Mount for AM50

[MORE AT MOUNTS.COM](http://MOUNTS.COM)

SIMILAR PRODUCTS



AM50-B

Dual Arm Swingout Mount for Flat-Panel Displays up to 50 lb./23 kg



AM18W

Adjustable Height Swingout Mount for Small Flat-Panels



FPA

Rack Mount for Monitors and Flat-Panel Displays

[MORE AT MOUNTS.COM](http://MOUNTS.COM)



World Headquarters | 1321 S. State College Blvd., Fullerton, CA 92831 | 800.368.9700 USA | F 800.832.4888 | www.mounts.com
Europe Office | Unit 3, The Moorings Business Park, Channel Way | Longford, Coventry, CV6 6RH, UK | +44 (0) 2476 644105 | F +44 (0) 2476 64416

© 2013 PREMIER MOUNTS | Rev.01 | 10.2011